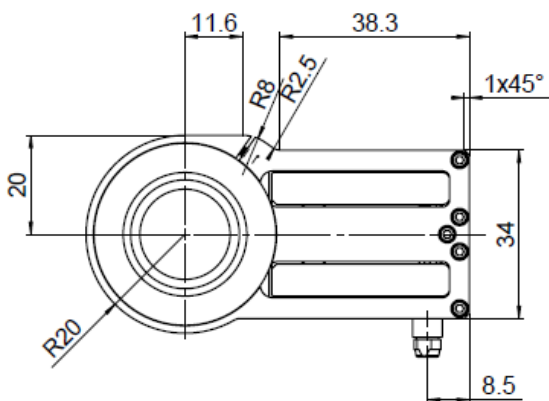
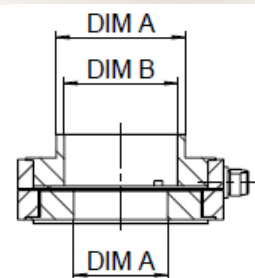
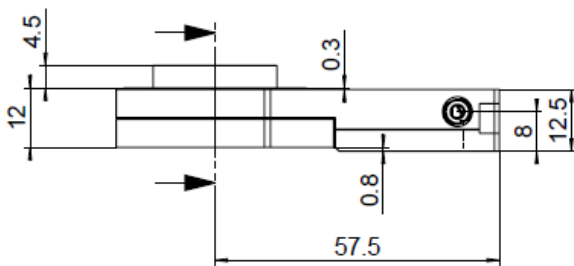


Product-Specification

Product	Objective-Positioner		
Product-Code	SFS-D00150	Unit	Tolerance
Position-Sensor	SGS, Full-Bridge		
Range, Closed Loop	150	µm	±10%
Range, Open Loop (0..150 V)	180	µm	±10%
Range, Open Loop (-45..180 V)	280	µm	±10%
Resolution, open loop	0,8	nm	ca., RMS
Resolution, closed loop	1,5	nm	ca., RMS
Linearity, closed loop	0,2	%	typ.
Repeatability	15	nm	typ.
Load	130	g	max.
Push/Pull, maximum	10/5	N	max.
Lateral Force, maximum	5	N	max.
Stiffness	0,1	N/µm	±20%
Resonance, with thread-adapter	200	Hz	ca.
Resonance, with 125 g objective	80	Hz	ca.
Elektrical Capacitance @ 1V eff, 1kHz	2.2	µF	±10%
Body-Material	aluminum/stainless-steel		
Operating Temperature	-20..+80	°C	

Options:

- ↗ Vacuum-Compatibility
- ↗ Suitable Driver, open-loop, EBO-050100
- ↗ Suitable Controller, closed-loop, EBD-060100



OBJECTIVE INTERFACE		
SIZE	THREAD SIZE (DIM A)	DIAMETER (DIM B)
O1	M19x0.75	14.0
O2	M25x0.75	22.0
O3	M26x0.75	23.0
O4	M27x0.75	24.0
O5	M28x0.75	25.0
O6	M32x0.75	29.0
O7	M26x1/36"	22.0
O8	W0.8x1/36"	14.0
O9	W26x1/36"	22.0