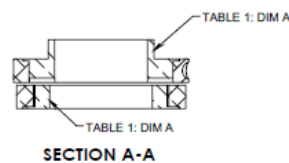
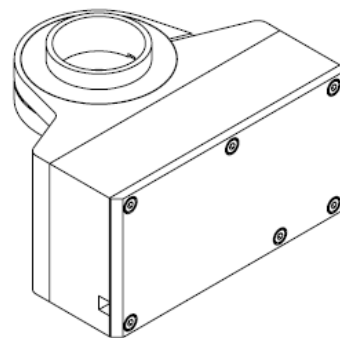
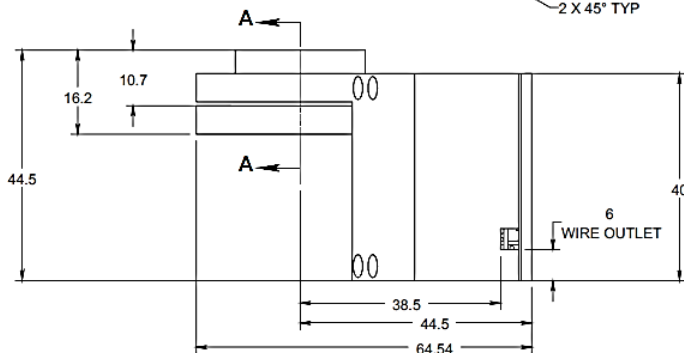
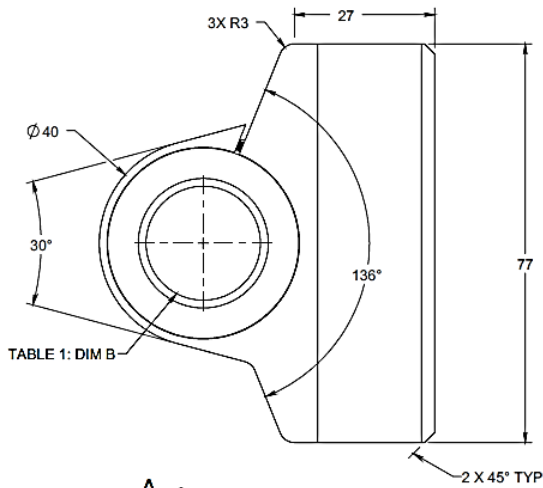
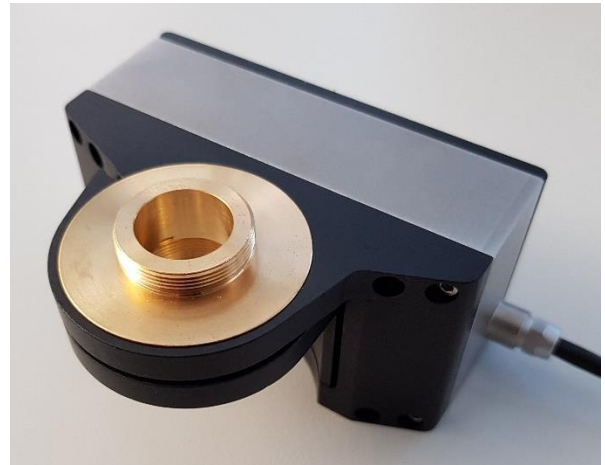


Product-Specification

Product	Mega Focus Objective-Positioner		
Product-Code	SFS-D01000	Unit	Tolerance
Position-Sensor	SGS, Full-Bridge		
Range, Closed Loop	1000	µm	±10%
Range, Open Loop (-35..+150 V)	1100	µm	±10%
Resolution, open loop	5	nm	ca., RMS
Resolution, closed loop	10	nm	ca., RMS
Linearity, closed loop	0.2	%	typ.
Repeatability	100	nm	typ.
Push/Pull	20/10	N	max.
Load	300	g	max.
Stiffness	0.1	N/µm	±20%
Resonance	135	Hz	ca.
Resonance, w/ 250 g load	80	Hz	ca.
Electrical Cap. @ 1V eff, 1kHz	17.8	µF	±10%
Body-Material	aluminum/stainless-steel		
Operating Temperature	-20..80	°C	

Options:

- Open-Loop Version
- Vacuum-Compatibility
- Suitable Driver, open-loop, EBO-050100
- Suitable Controller, closed-loop, EBD-120210



OBJECTIVE INTERFACE		
SIZE	THREAD SIZE (DIM A)	DIAMETER (DIM B)
O1	M19x0.75	14.0
O2	M25x0.75	22.0
O3	M26x0.75	23.0
O4	M27x0.75	24.0
O5	M28x0.75	25.0
O6	M32x0.75	29.0
O7	M26x1/36"	22.0
O8	W0.8x1/36"	14.0
O9	W26x1/36"	22.0

